

Vibration Transmitter

This 4-20mA loop power online vibration monitoring product is specially designed for easy use with PLC, DCS and other process control and monitoring system.

Features:

- Overall value Output: 4-20mA_{dc} or 0-5V_{dc}, Displacement, Velocity or Acceleration, True RMS, Equivalent Peak or Equivalent Peak-Peak, (All Optional at factory)
- Optional dynamic waveform Output for FFT analysis: ± 2 V_{ac}
- Optional panel meter display: 1-32 channels, 2 alarm outputs, alarm delay 2-15s

Specification:

● Accelerometer:

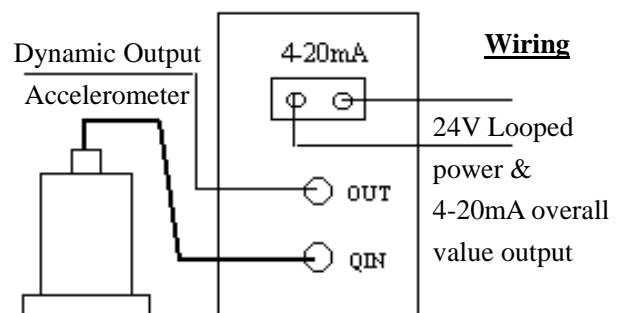
1. Shear-mode Ceramic piezoelectric
2. Sensitivity: $10 \pm 2 \text{ pC} / \text{ms}^{-2}$
3. Transverse sensitivity max: <5%
4. Sensitivity variation vs temperature: < 0.01% per °C
5. Case: stainless steel, air-tight, electrical isolation to reduce ground disturbance
6. Working temperature: -20~100°C or -20~180°C(high temperature type)
7. Cable outlet direction: side
8. Size: diameter 16, height 20
9. Mount: 1 M5 or 3 M5 screws

● Transmitter:

1. Measurement range(Default) and frequency response range:
 - ⊖ Displacement(Equivalent Peak-Peak): 1~500 μm , 5~500Hz
 - ⊖ Velocity(True RMS): 0.2~70mm/s, 5~1000Hz
 - ⊖ Acceleration(Equivalent Peak): 0.2~100m/s², 5Hz~10kHz
2. Working temperature: -20~80 °C
3. Accuracy with accelerometer: 5%
4. Size: 80x75x25(mm)
5. Power: 20~30V(DC)
6. Output mode: 2-line loop power or 3-line(power, output, and ground)
7. 4-20mA Output:
 - ⊖ Maximal transmit distance: 1km
 - ⊖ Protection: open circuit, short circuit.
8. Measurement accuracy (include accelerometer): 5%

● Panel Meter and Alarm

1. LED display
2. Alarm output: 2 relay switches, thresholds separately settable
3. Alarm output switch capacity: 220Vac 2A
4. Alarm delay: 3-15 seconds, only for 1 channel panel meter



Accelerometer and Transmitter



1 channel panel meter



2 channels panel meter